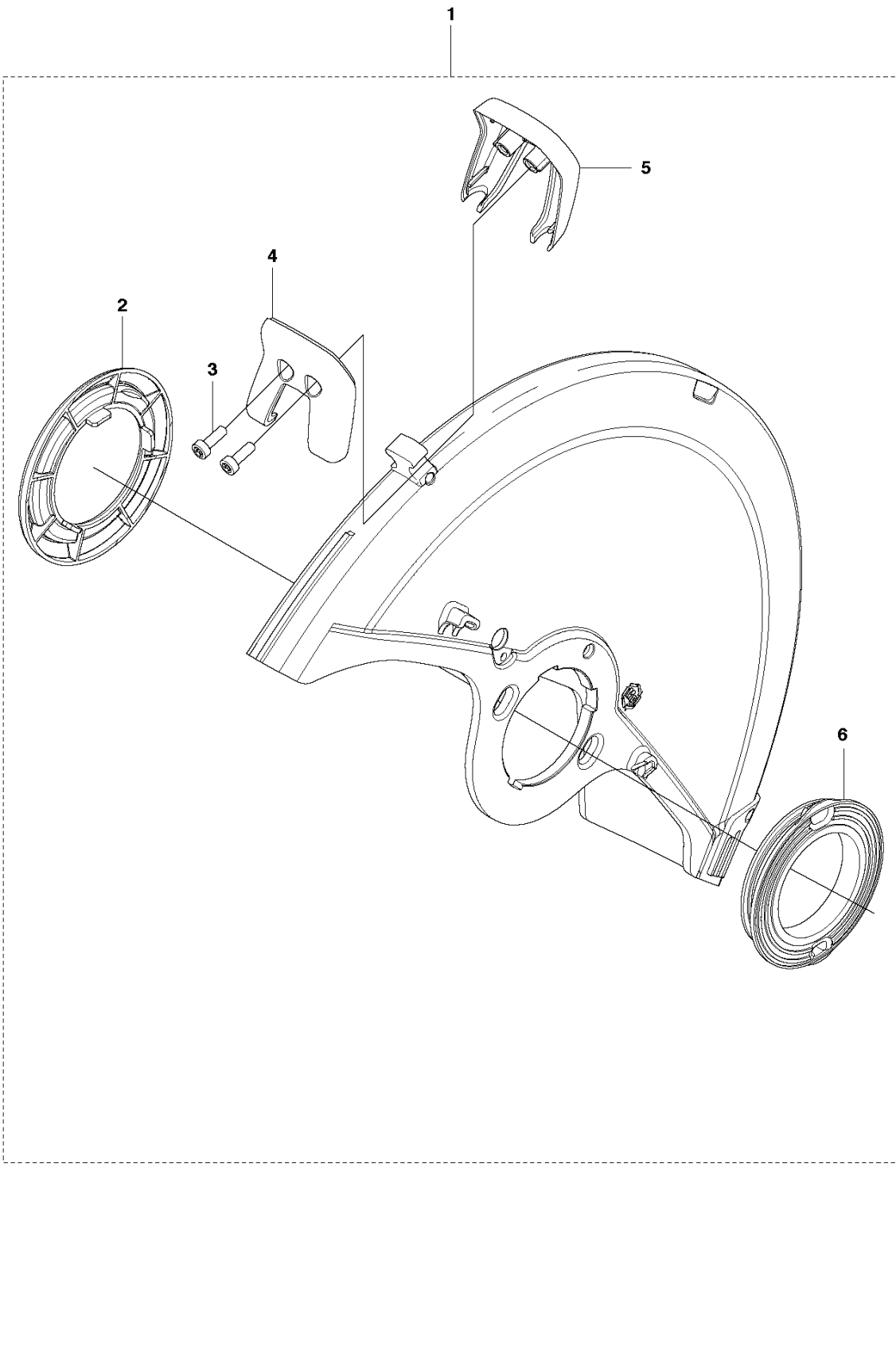


RESERVDELSKATALOG
: HUSQVARNA K 3000 WET

Reservdelslista

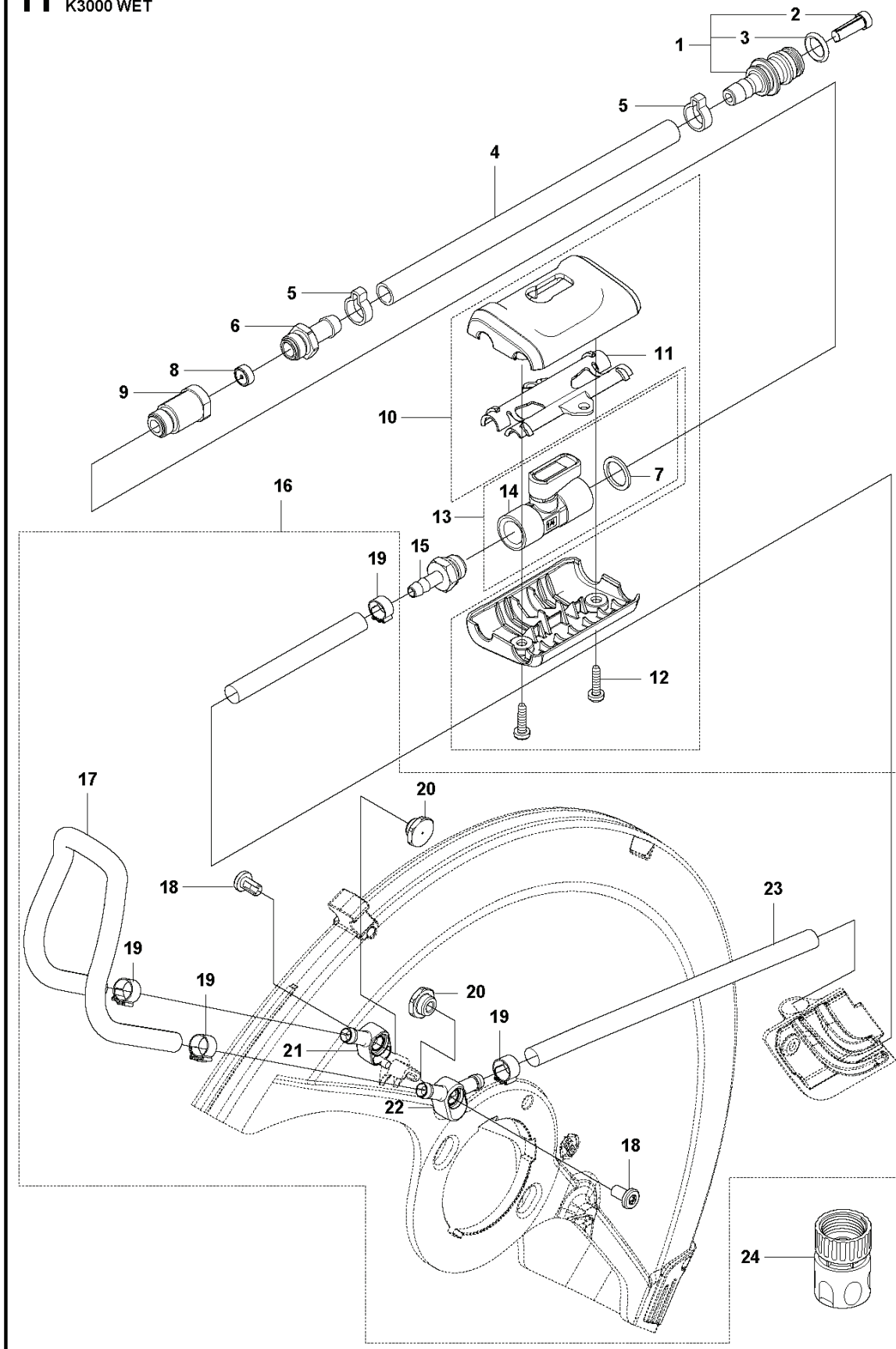
RESERVDELSLISTA

F K3000 VAC
K3000 WET



REF.	ART. NR	ARTIKELBESKRIVNING	ANMÄRKNING	KIT
1	577716901	SPRÅNGSKYDD	Incl. 2 - 6	1
2	576786101	ADAPTER		1
3	504909414	SCREW ITXSCT		2
4	576797701	HANDTAGSHALVA		1
5	576797601	HANDTAGSHALVA		1
6	506266302	SKONING		1

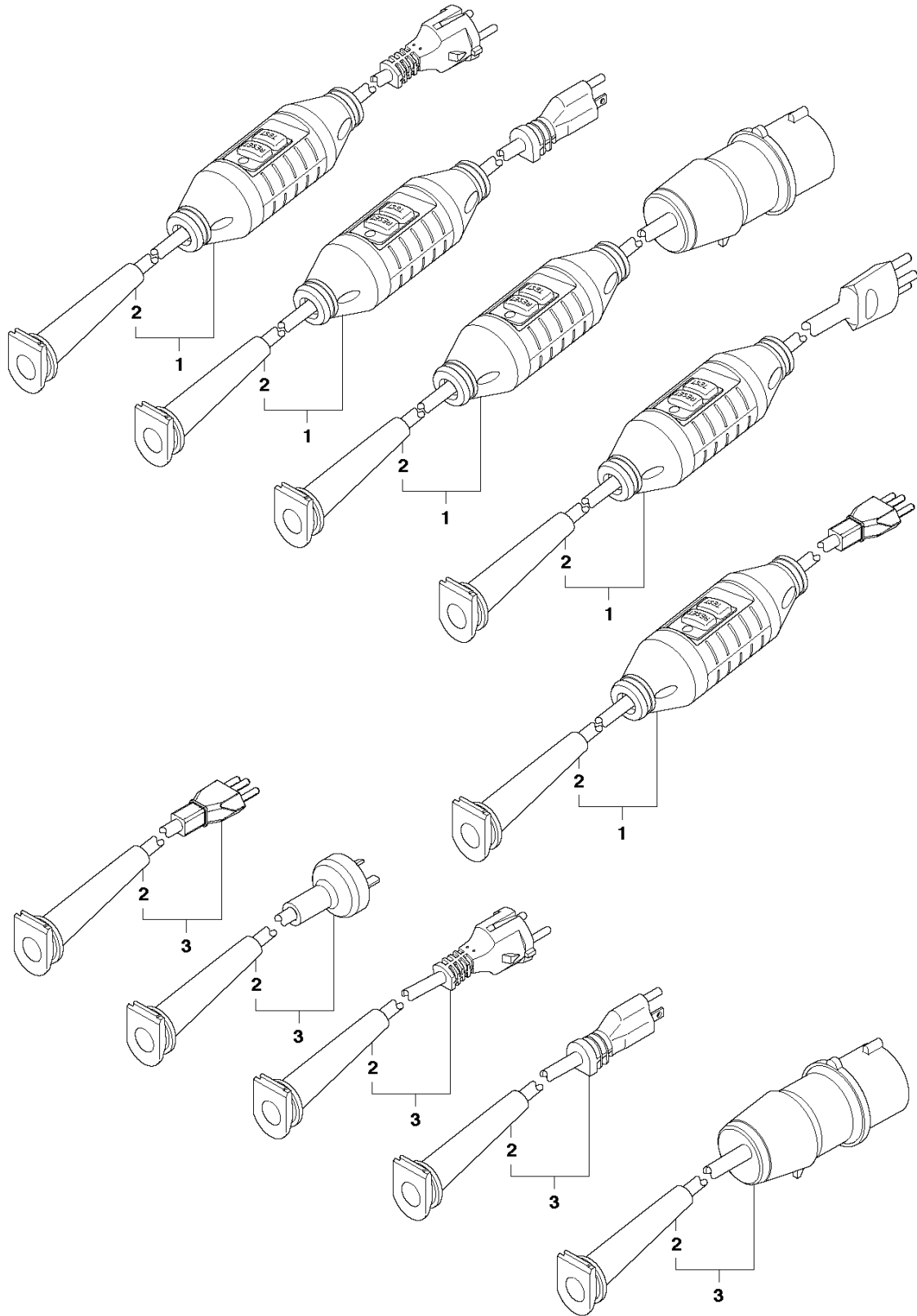
H K3000 VAC
K3000 WET



REF.	ART. NR	ARTIKELBESKRIVNING	ANMÄRKNING	KIT
1	506295702	NIPPEL	Incl. 2 - 3	1
2	589780701	SIL		1
3	505103501	O-RING		1
4	581893601	SLANG		1
5	576129701	SLANGKLÄMMA		2
6	582086301	NIPPEL		1
7	531074260	BRICKA		1
8	506486101	FLOW CONTROL		1
9	575303301	NIPPEL		1
10	522945102	HUS	Incl. 11 - 12	1
11	510187501	INSATS	Not for UK	1
12	504909410	SCREW ITXSCT		2
13	510195901	VENTILSATS	Incl. 7, 14	1
14	576258001	VENTIL		1
15	589996601	NIPPEL		1
16	505095415	SLANGSATS		1
17	581893504	SLANG	320mm	1
18	504634601	SKRUV ITXSCT		2
19	506498701	SLANGKLÄMMA		4
20	576798403	NIPPEL		1
21	504634503	HUS		1
22	505115502	HUS		1
23	581893508	SLANG	720mm	1
24	503266003	KOPPLING	USA	1
24	503266004	KOPPLING	RoW	1

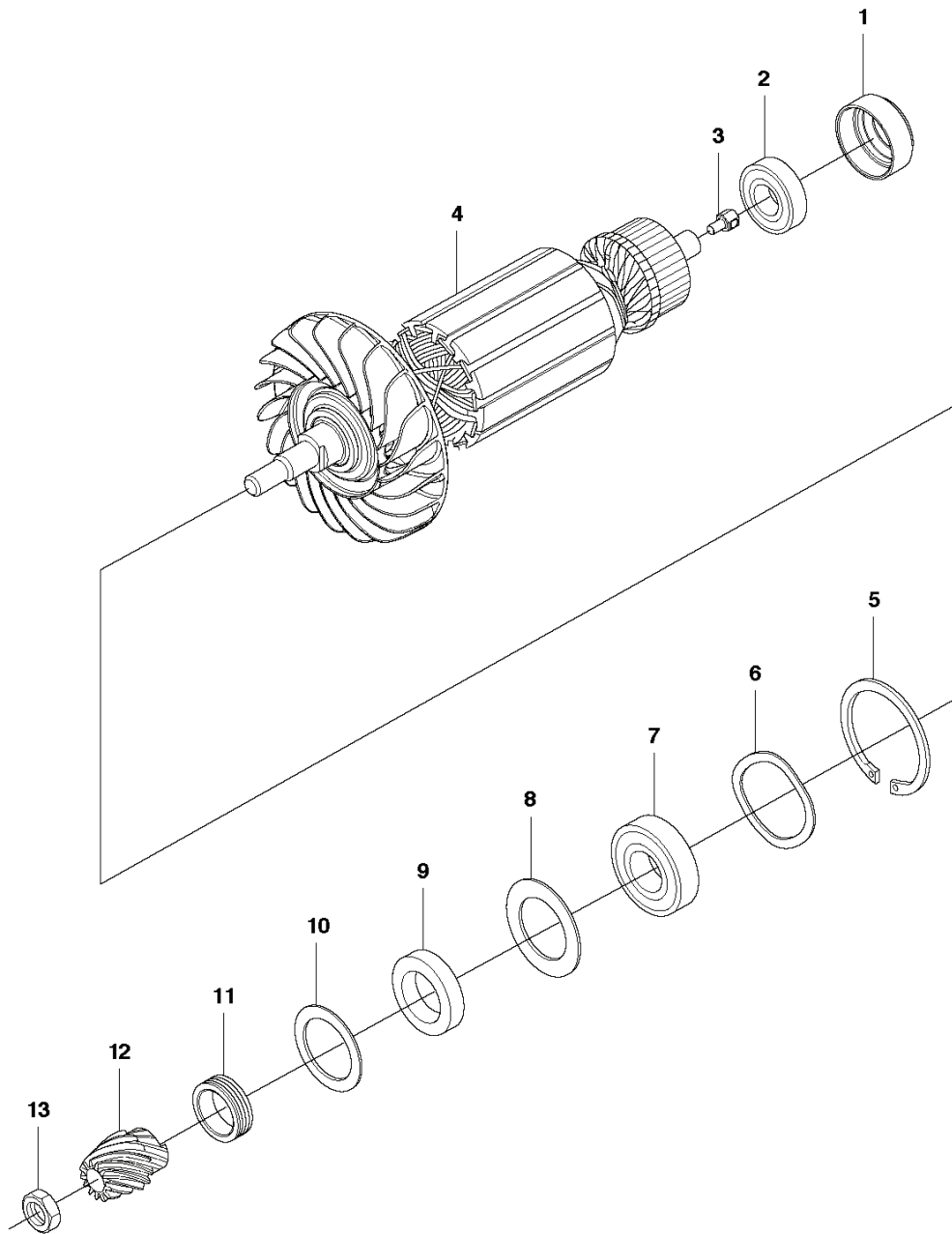
REF.	ART. NR	ARTIKELBESKRIVNING	ANMÄRKNING	KIT
1	505530311	SCREW		1
2	531031902	SCREW		3
3	577481901	FJÄDER		1
4	589657302	SPÄRRKNAPP		1
5	729532771	SKRUV CRPANT		1
6	729577801	SCREW CCRPANT		2
7	531031887	KLÄMMA		1
8	587032201	ELEKTRONIKBOX	110V	1
8	587032202	ELEKTRONIKBOX	230V	1
9	578032401	HYLSA	230V	1
9	578032601	HYLSA	110V	1
10	531031883	BRYTARE		1
11	544904502	HANDTAG KPL		1
12	503250901	LAGER		1
13	579256201	SCREW		1
14	577525201	MUTTER		2

A2 K3000 VAC
K3000 WET



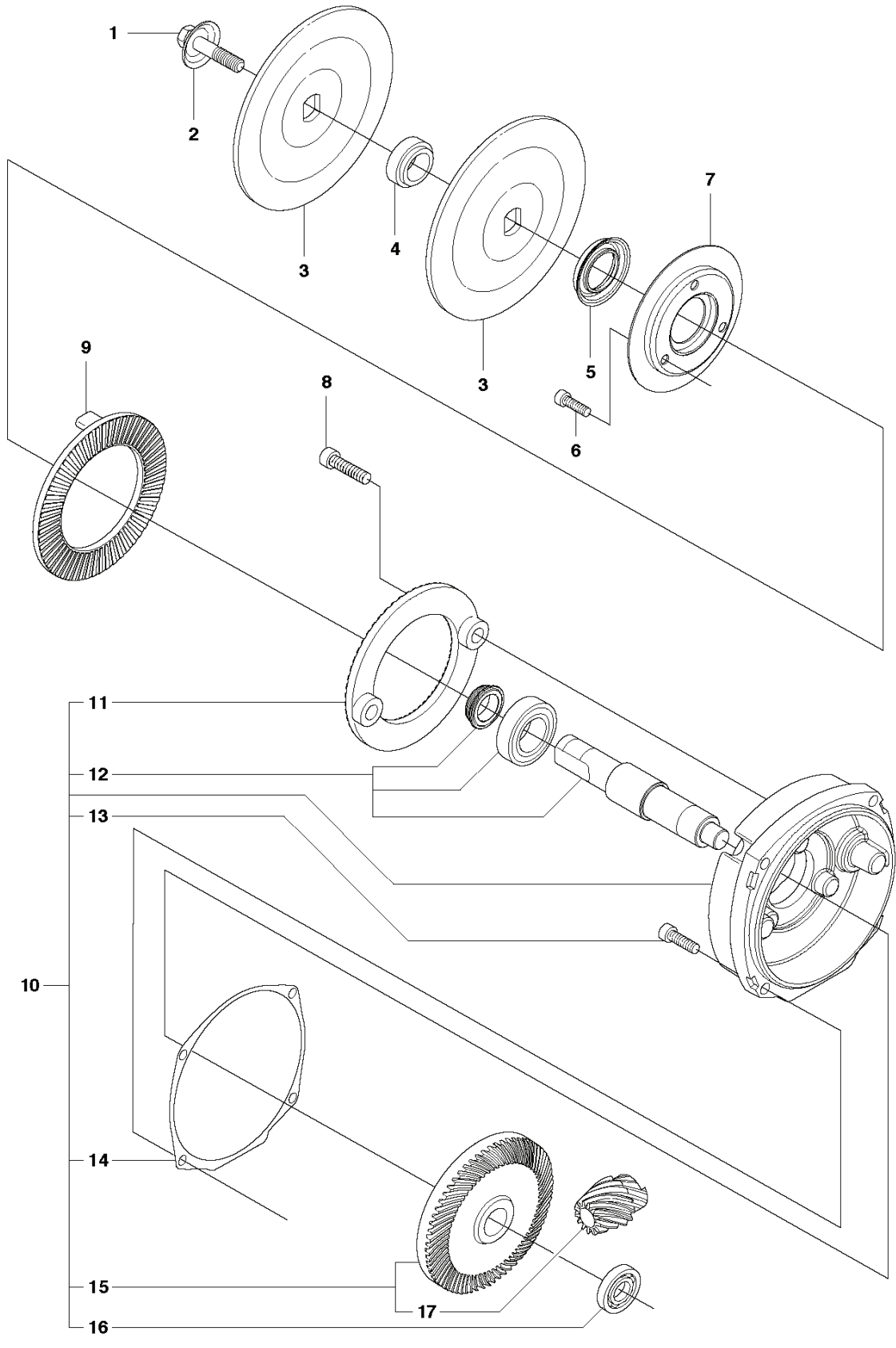
REF.	ART. NR	ARTIKELBESKRIVNING	ANMÄRKNING	KIT
1	585393608	KABEL		1
1	521907403	KABEL	230V PRCD, CH, incl. 2	1
1	521907203	KABEL	110V PRCD, AU, incl. 2	1
1	510181302	KABEL	110V PRCD, JP, US, incl. 2	1
1	505443303	KABEL	230V PRCD, incl. 2	1
2	577411801	SLADDHYLSA		1
3	521919003	KABEL	110V UK, incl. 2	1
3	585393609	KABEL		1
3	521907404	KABEL	230V CH, incl. 2	1
3	521907205	KABEL	110V AU, incl. 2	1
3	510222810	KABEL	110V JP, US, incl. 2	1
3	510222809	KABEL	230V, incl. 2	1

B K3000 VAC
K3000 WET



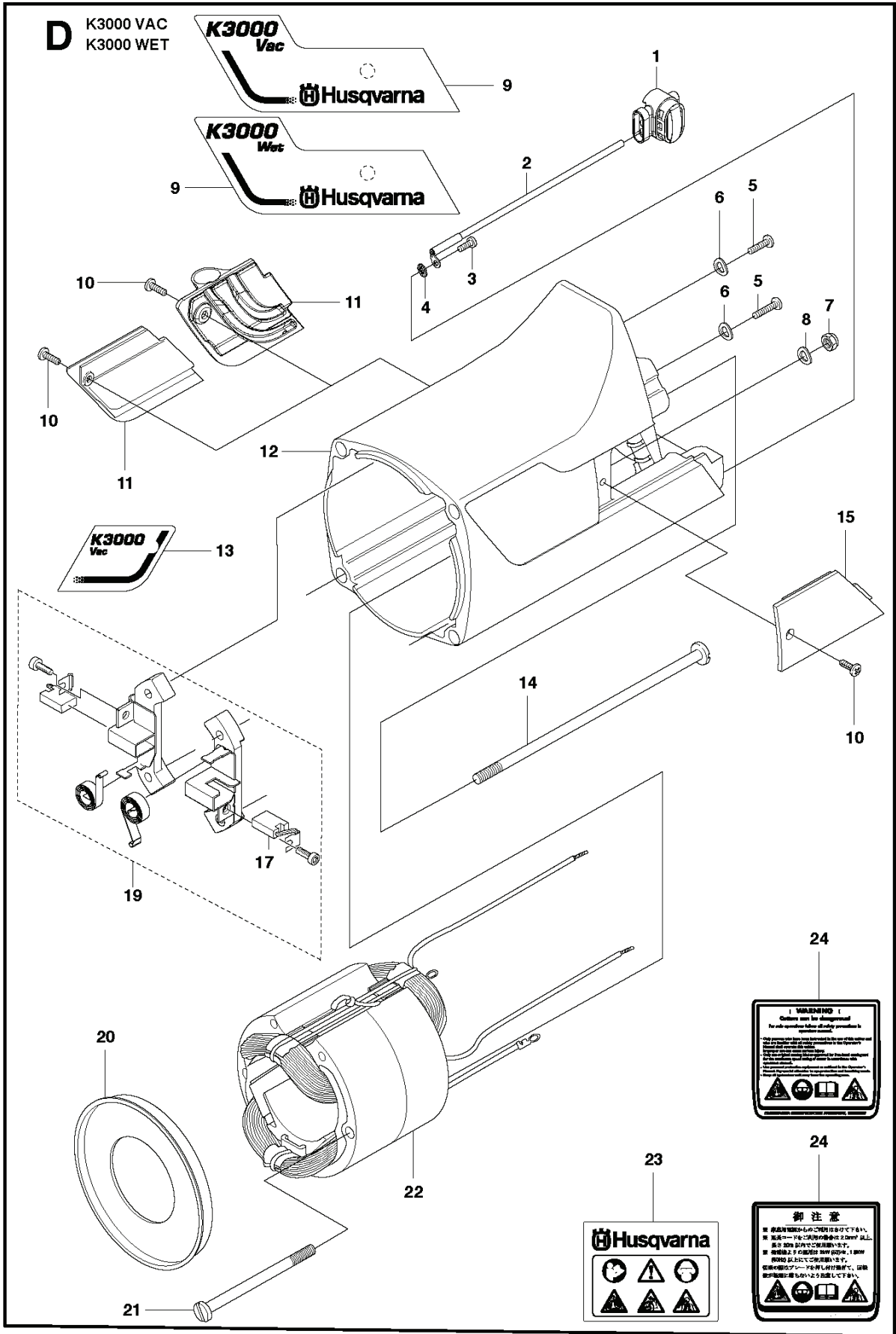
REF.	ART. NR	ARTIKELBESKRIVNING	ANMÄRKNING	KIT
1	577066601	RUBBER BUSHING		1
2	503250901	LAGER		1
3	579256203	SCREW		1
4	582586602	ROTOR	120V, From S/N: 20174400001	1
4	582586601	ROTOR	230V, From S/N: 20174400001	1
5	735313310	SPÄRRING		1
6	505530351	FJÄDERBRICKA		1
7	531073944	KULLAGER		1
8	505530316	DISTANSBRICKA		1
9	505530341	PACKNING		1
10	505530352	DISTANSBRICKA		1
11	505530319	DISTANSBRICKA		1
12	506098602	DREV		1
13	523122403	MUTTER		1

C K3000 VAC
K3000 WET



REF.	ART. NR	ARTIKELBESKRIVNING	ANMÄRKNING	KIT
1	581855201	SCREW		1
2	506139511	BRICKA		1
3	506028701	FLÄNSBRICKA		2
4	506379622	BUSHING	Diam 22,2mm	1
4	506379620	SATS	Diam 20mm	1
4	578398201	BUSHING	Diam 25,4mm	1
4	506028830	BUSHING	Diam 30,5mm	1
5	506320601	TÄTNING		1
6	505574116	SKRUV ITXSCM		3
7	506266501	FLÄNS		1
8	503215310	SKRUV ITXSCM		2
9	506266401	NÄT		1
10	544403205	KUGGVÄXEL SATS	Incl. 11 - 16	1
11	506288401	NÄT		1
12	544403302	AXEL		1
13	505574120	SKRUV ITXSCM		4
14	523056201	PACKNING		1
15	531031875	KUGGHJUL	Incl. 17	1
16	738220015	KULLAGER		1
17	506098602	DREV		1

D K3000 VAC
K3000 WET

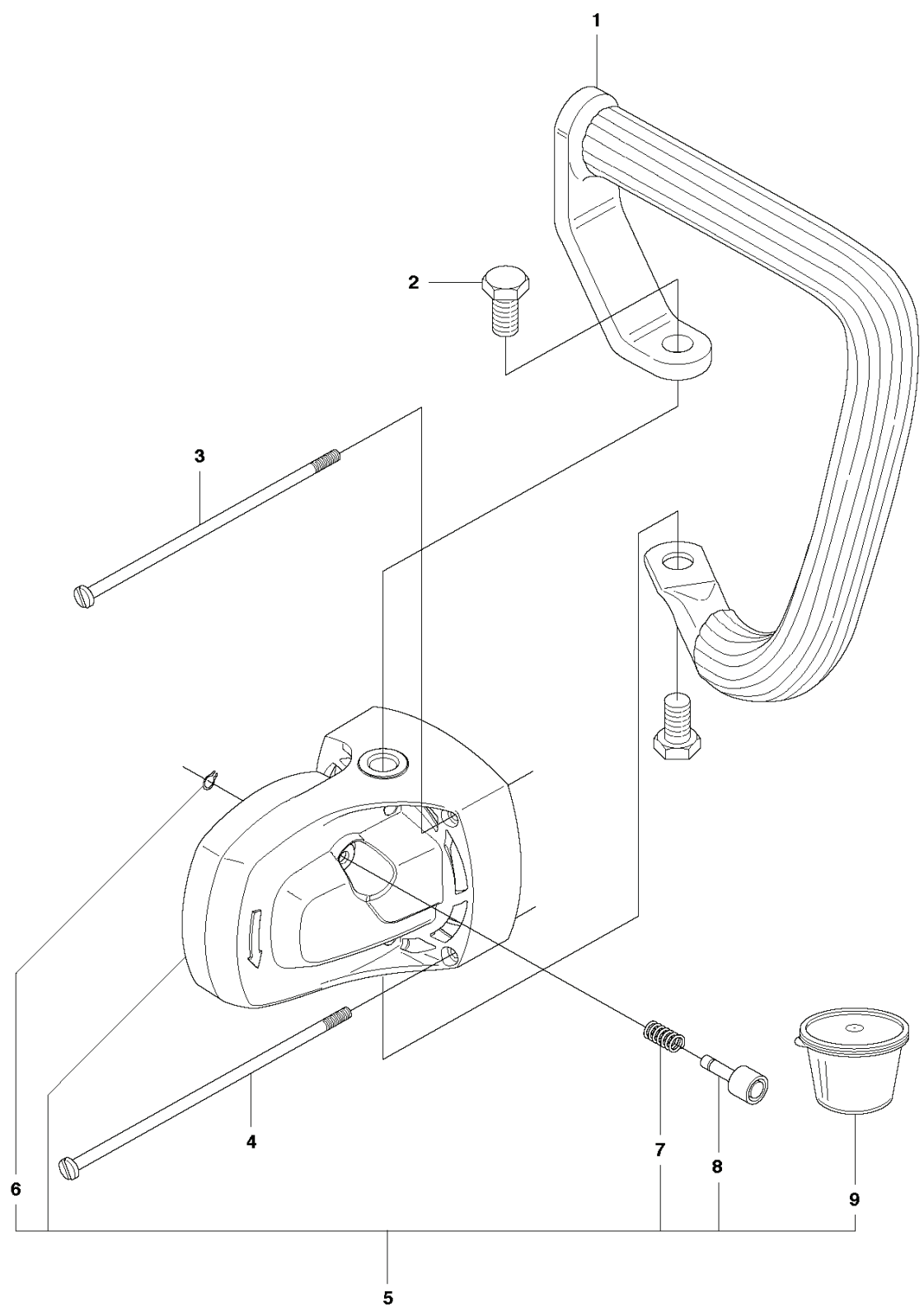


! WARNING !
 Caution must be observed
 for safe operation. Failure to follow instructions is
 operator's fault.
 Only persons who have been trained by the manufacturer
 are permitted to perform maintenance and repairs.
 Do not use the blower for purposes other than those
 intended. Do not use the blower for cutting, digging,
 or any other purpose for which it was not designed.
 Do not use the blower for purposes other than those
 intended. Do not use the blower for cutting, digging,
 or any other purpose for which it was not designed.

御注意
 ※ 取扱説明書からの説明は必ず守ってください。
 ※ 本器具は一応の安全装置が備わっていますが、
 必ず30分以内で保管してください。
 ※ 取扱説明書よりお読みください。100V
 電源に接続してご使用ください。
 ※ 取扱説明書よりお読みください。取扱
 説明書に必ずお読みください。

REF.	ART. NR	ARTIKELBESKRIVNING	ANMÄRKNING	KIT
1	501980201	KOPPLING		1
2	577384001	KABLAGE KPL		1
3	724122201	SKRUV CRPANM		1
4	735212401	LÅSBRICKA		1
5	724129101	SKRUV CRPANM		3
5	724129701	SKRUV CRPANM		1
6	735113650	FJÄDERBRICKA		3
7	732211401	LOCK NUT		2
8	735114650	FJÄDERBRICKA		1
9	544903305	DEKAL	Wet	1
9	544903306	DEKAL	Vac	1
10	729532771	SKRUV CRPANT		1
11	544900201	LOCK	Vac	1
11	505122401	LOCK	Wet	1
12	577670101	MOTORHUS		1
13	544903305	DEKAL	Wet	1
13	544903307	DEKAL	Vac	1
14	505530311	SCREW		1
15	544899401	LOCK		1
17	589911202	KOLBORSTE	120V	1
17	589911201	KOLBORSTE	230V	1
19	581058506	BORSTHÅLLARE	120V	1
19	581058505	BORSTHÅLLARE	230V	1
20	505530307	AIR STREAM DIRECTOR		1
21	506225301	SCREW		2
22	582584101	STATOR KPL	230V, From S/N: 20174400001	1
22	582584102	STATOR KPL	120V, From S/N: 20174400001	1
23	544984001	DEKAL		1
24	506384314	DEKAL	USA, UK	1
24	506384415	DEKAL	JP	1

E K3000 VAC
K3000 WET



REF.	ART. NR	ARTIKELBESKRIVNING	ANMÄRKNING	KIT
1	506150303	HANDTAG		1
2	531031276	SCREW		2
3	505530311	SCREW		1
4	531031894	SCREW		1
5	544403401	VÄXELHUS	Incl. 6 - 9	1
6	735310800	SPÄRRING		1
7	577482001	FJÄDER		1
8	544904701	AXEL		1
9	574206202	FETT		1